



viva-manipulacni-technika.cz



PRODEJ



SERVIS



BAZAR



PŮJČOVNA



VIVA - manipulační technika s.r.o.
Terezínská 86, 410 02 LOVOSICE



viva-manipulacni-technika.cz



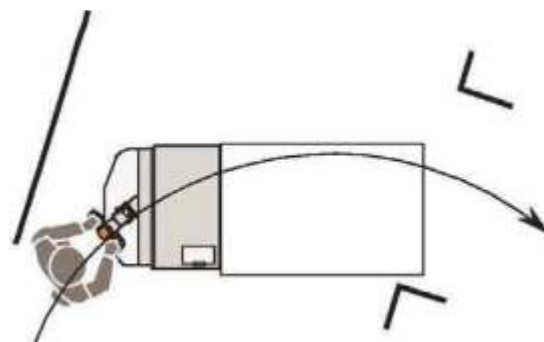
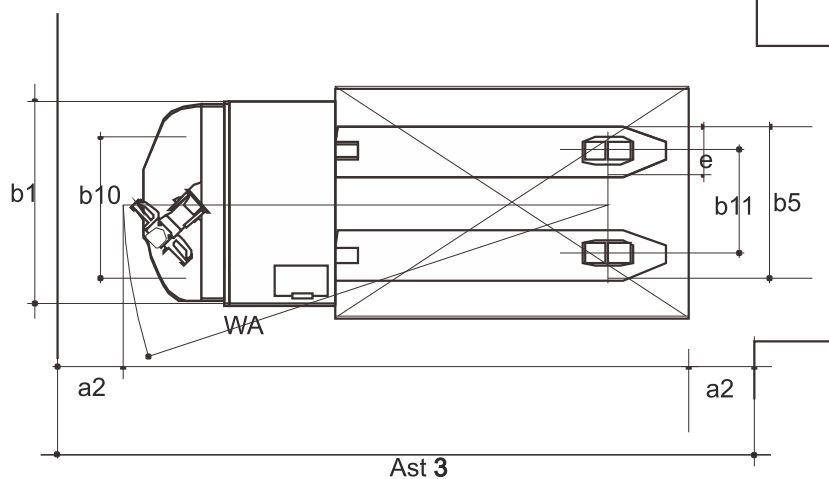
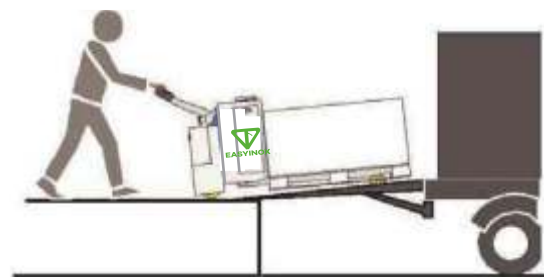
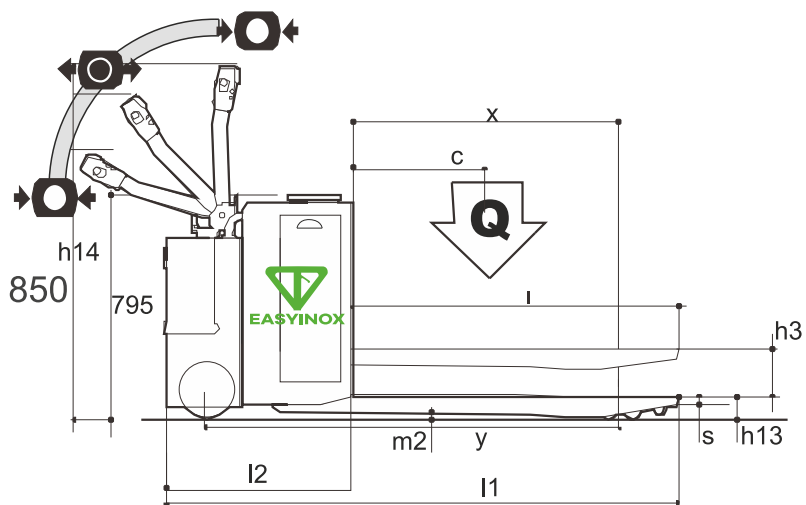
Characteristics	1.1	Manufacturer			Italiana Carrelli elevatori srl	
	1.2	Model			EPT-20	
		Execution			1.150x540	
	1.3	Drive			E	
	1.4	Operator type			Pedestrian	
	1.5	Load capacity / rated load	Q	t	2.0	
	1.6	Load centre distance	c	mm	600	
	1.8	Load distance (centre of load axle to fork face)	x	mm	980	
	1.9	Wheelbase	y	mm	1.500	
Weights	2.1	Service weight incl. battery (see line 6.5)		kg	508	
	2.2	Axle loading, laden front/rear		kg	1.760	890
	2.3	Axle loading, unladen front/rear		kg	120	400
Wheels Chassis	3.1	Tires		mm	polyurethane	
	3.2	Tire size, front		mm	230x75	
	3.3	Tire size, rear		mm	82x90	
	3.4	Additional wheels dimensions		mm	100x50	
	3.5	Wheels, number front / rear (x = driven wheels)		n°	(1x +2) / 2 (4)	
	3.6	Track width, front	b10	mm	466	
	3.7	Track width, rear	b11	mm	360	
Basic dimensions	4.4	Lift	h3	mm	110	
	4.9	Height of tiller arm in drive position min. / max.	h14	mm	850	1.220
	4.15	Forks lowered height	h13	mm	85	
	4.19	Overall length	l1	mm	1.820	
	4.20	Length to face of forks	l2	mm	650	
	4.21	Overall width	b1	mm	710	
	4.22	Forks dimensions	s/e/l	mm	60/180/1.150	
	4.25	Width over forks	b5	mm	540	
	4.32	Ground clearance, centre of wheelbase	m2	mm	20	
	4.33	Aisle width for pallets 1000 x 1200 crossways	Ast	mm	2.110	
	4.34	Aisle width for pallets 800 x 1200 lengthways	Ast	mm	2.280	
4.35	Turning radius	Wa	mm	1.600		
Performances	5.1	Travel speed laden / unladen		km/h	5,8 / 6,0	
	5.2	Lifting speed laden / unladen		m/s	0,04 / 0,05	
	5.3	Lowering speed laden / unladen		m/s	0.26 / 0.16	
	5.8	Max gradient performance		%	8 / 15	
	5.10	Service brake			Electromagnetic	
Electric Motor	6.1	Traction motor, rating S2 60 min		kW	1,2	
	6.2	Lift motor, rating S3 15%		kW	1	
	6.3	Battery according to DIN 43531 / 35 / 36 A, B, C			DIN	
	6.4	Battery voltage, nominal capacity K5		V/Ah	24 / 180 (250*)	
	6.5	Battery weight		kg	175	
	6.6	Energy consumption according to VDI cycle		kW/h		
Others	8.1	Type of drive control			ac	
	8.4	Sound level at driver's ear according to EN 12 053		dB(A)	< 70	
* optional						

Technical specification according to VDI 2198, technical values are referred to the standard product. Different masts, different tires, additional equipment, etc. could produce other values. Information and data are given for information only, Italiana Carrelli elevatori srl will have the sole right for technical changes and improvements without giving any notice.

Manipulujte s námi...



viva-manipulacni-technika.cz



www.viva-manipulacni-technika.cz

Tel.: +420 777 020 090

Email: info@viva-manipulacni-technika.cz