



viva-manipulacni-technika.cz



PRODEJ



SERVIS



BAZAR



PŮJČOVNA



VIVA - manipulační technika s.r.o.
Terezínská 86, 410 02 LOVOSICE



viva-manipulacni-technika.cz



Characteristics	1.1	Manufacturer			Italiana Carrelli elevatori srl	
	1.2	Model			EPT-16	
		Execution			1.150x540	980x670
	1.3	Drive			E	
	1.4	Operator type			Pedestrian	
	1.5	Load capacity / rated load	Q	t	1,6	
	1.6	Load centre distance	c	mm	600	500
	1.8	Load distance (centre of load axle to fork face)	x	mm	980	810
	1.9	Wheelbase	y	mm	1.378	1.245
Weights	2.1	Service weight incl. battery (see line 6.5)		kg	480	
	2.2	Axle loading, laden front/rear		kg		
	2.3	Axle loading, unladen front/rear		kg		
Wheels Chassis	3.1	Tires		mm	polyurethane	
	3.2	Tire size, front		mm	230x75	
	3.3	Tire size, rear		mm	82x90	
	3.4	Additional wheels dimensions		mm	100x50	
	3.5	Wheels, number front / rear (x = driven wheels)		n°	(1x +2) / 2 (4)	
	3.6	Track width, front	b10	mm	466	
	3.7	Track width, rear	b11	mm	360	490
Basic dimensions	4.4	Lift		mm	110	
	4.9	Height of tiller arm in drive position min. / max.		mm	920-1.070	1.220
	4.15	Forks lowered height		mm	85	
	4.19	Overall length	l1	mm	1.698	1.528
	4.20	Length to face of forks	l2	mm	548	
	4.21	Overall width	b1	mm	710	
	4.22	Forks dimensions	s/e/l	mm	60/180/1.150	60/180/980
	4.25	Width over forks	b5	mm	540	670
	4.32	Ground clearance, centre of wheelbase	m2	mm	20	
	4.33	Aisle width for pallets 1000 x 1200 crossways	Ast	mm	2.008	
	4.34	Aisle width for pallets 800 x 1200 lengthways	Ast	mm	2.178	
4.35	Turning radius	Wa	mm	1.480	1.310	
Performances	5.1	Travel speed laden / unladen		km/h	5,8 / 6,0	
	5.2	Lifting speed laden / unladen		m/s	0,04 / 0,05	
	5.3	Lowering speed laden / unladen		m/s	0,26 / 0,16	
	5.8	Max gradient performance		%	8 / 15	
	5.10	Service brake			Electromagnetic	
Electric Motor	6.1	Traction motor, rating S2 60 min		kW	1,2	
	6.2	Lift motor, rating S3 15%		kW	1	
	6.3	Battery according to DIN 43531 / 35 / 36 A, B, C			DIN	
	6.4	Battery voltage, nominal capacity K5		V/Ah	24/ 150	
	6.5	Battery weight		kg	155	
	6.6	Energy consumption according to VDI cycle		kW/h		
Others	8.1	Type of drive control			ac	
	8.4	Sound level at driver's ear according to EN 12 053		dB(A)	< 70	

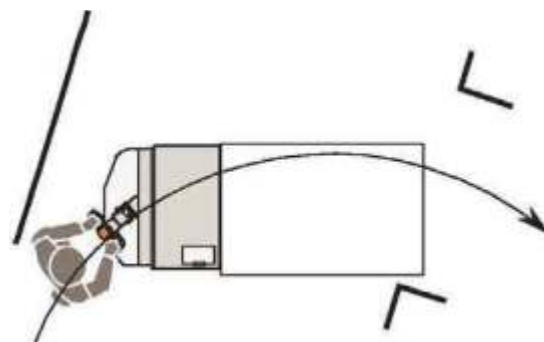
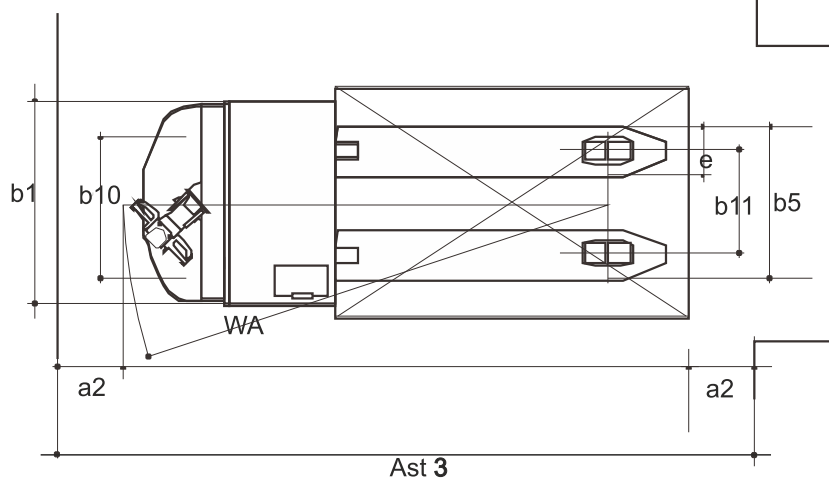
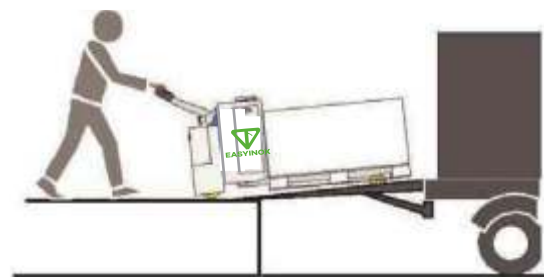
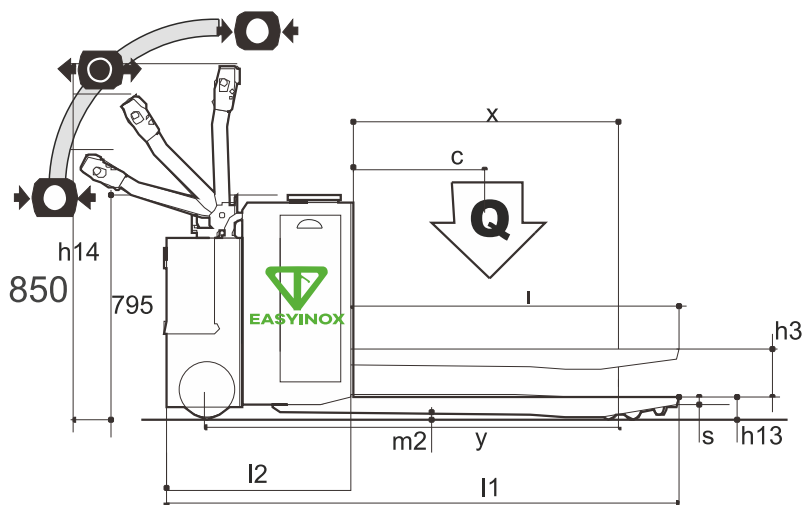
* optional

Technical specification according to VDI 2198, technical values are referred to the standard product. Different masts, different tires, additional equipment, etc. could produce other values. Information and data are given for information only, Italiana Carrelli elevatori srl will have the sole right for technical changes and improvements without giving any notice.

Manipulujte s námi...



viva-manipulacni-technika.cz



www.viva-manipulacni-technika.cz

Tel.: +420 777 020 090

Email: info@viva-manipulacni-technika.cz